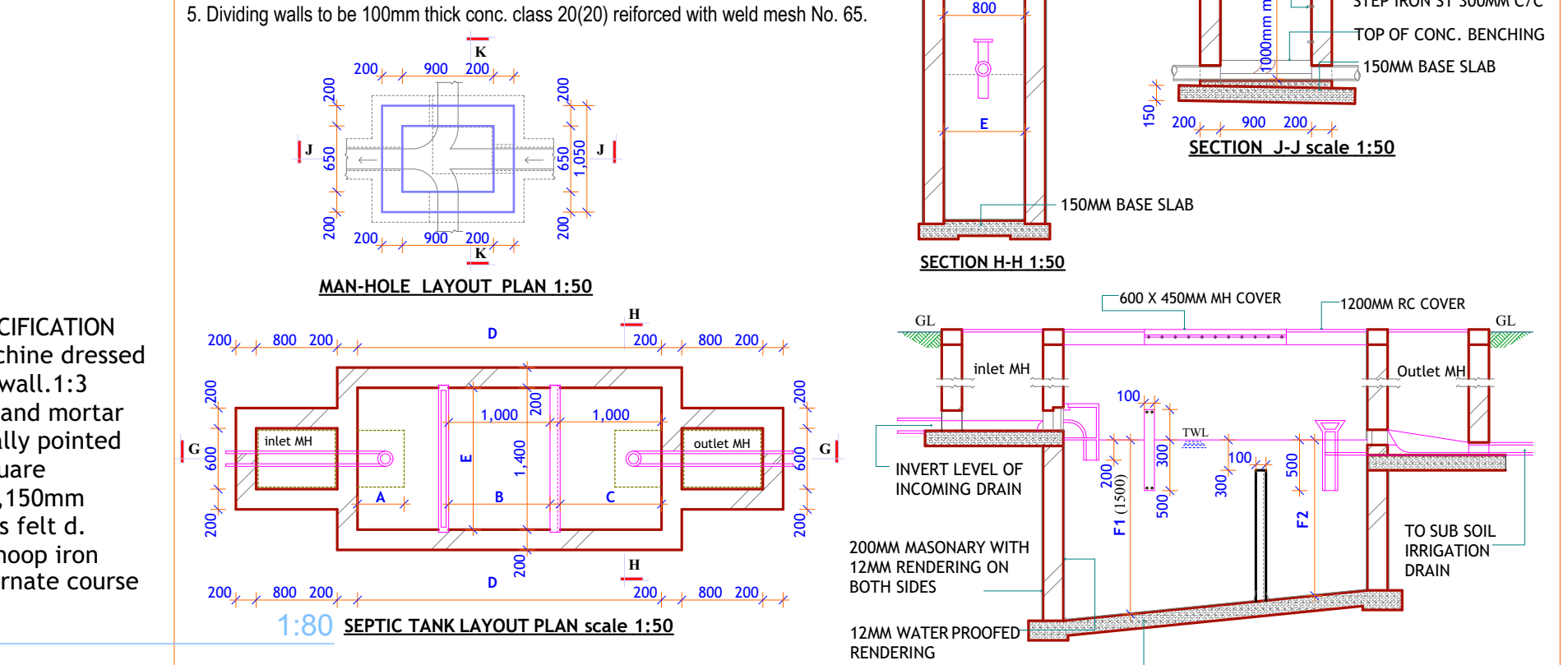
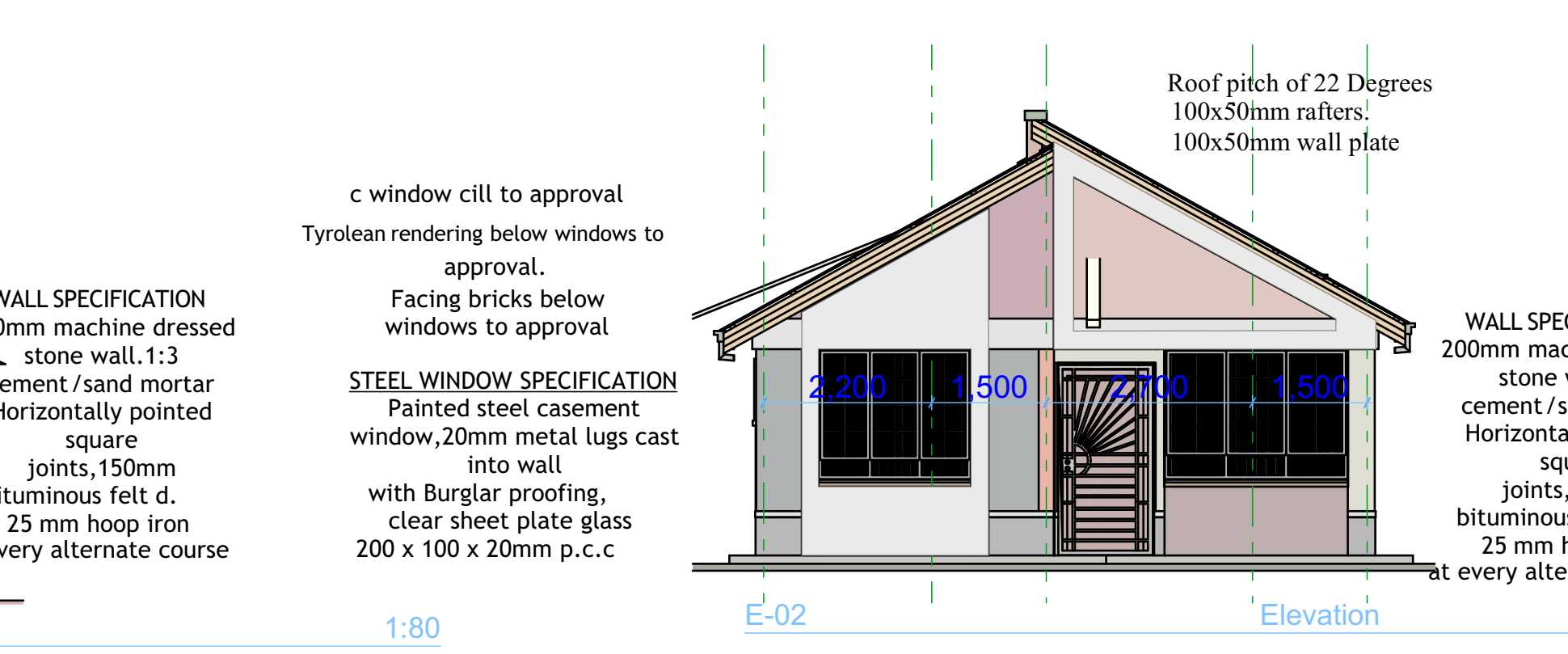
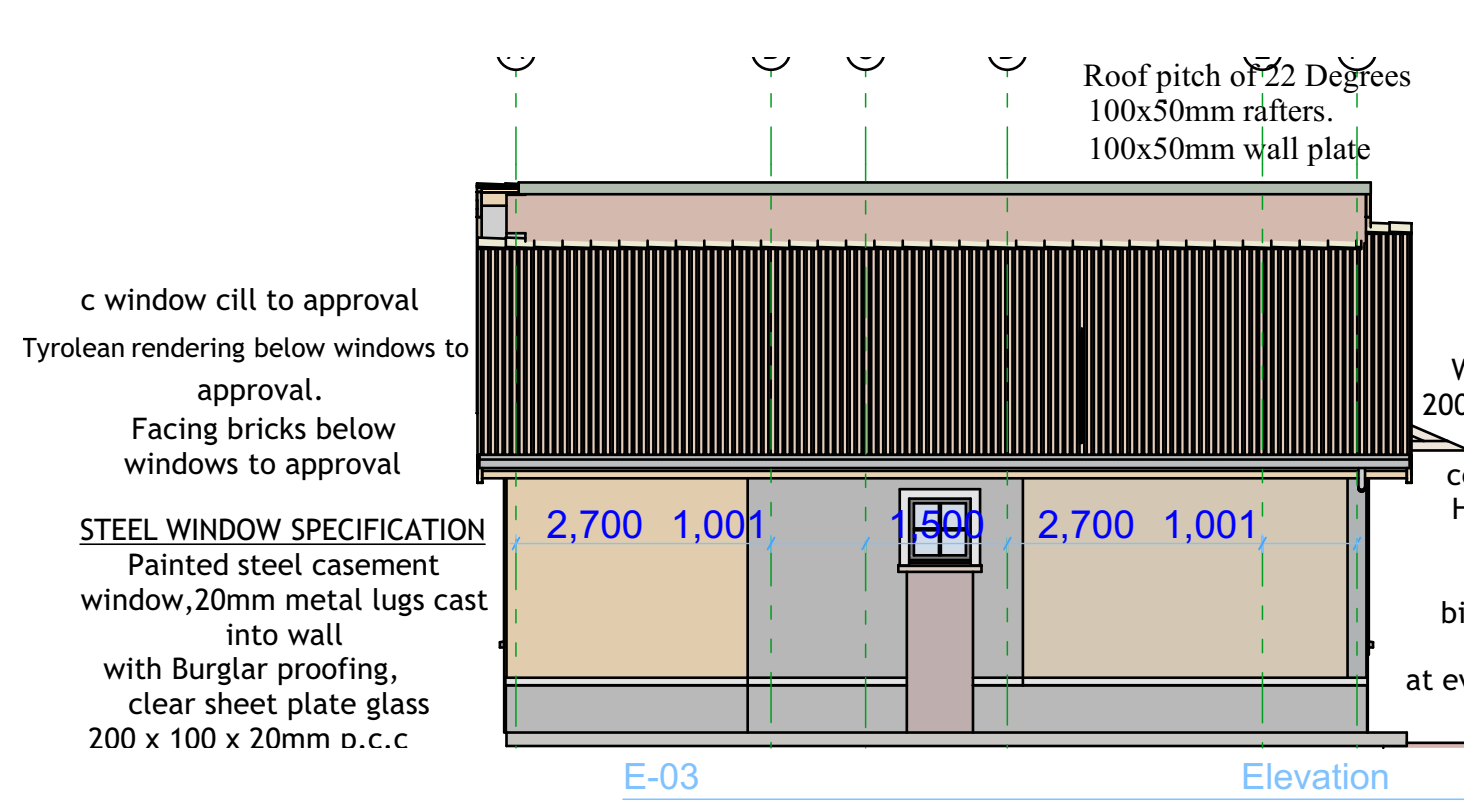
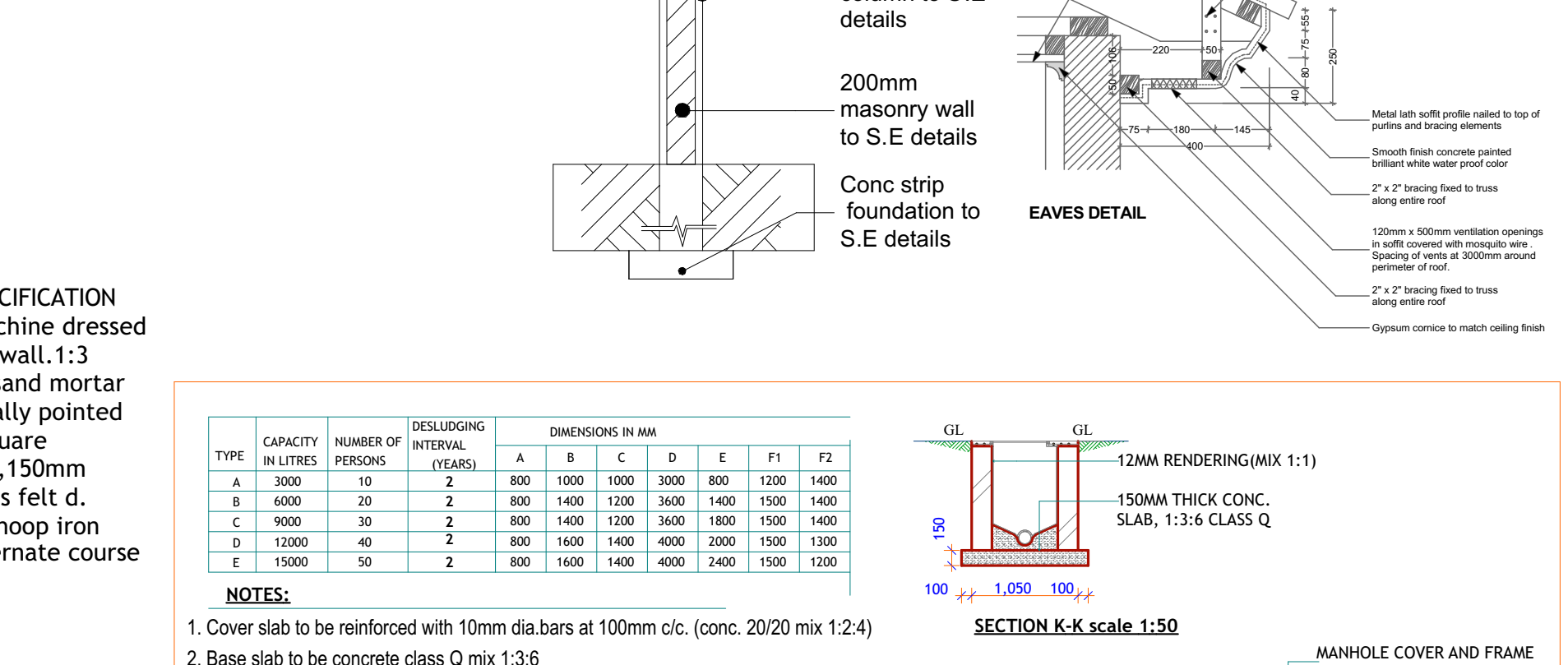
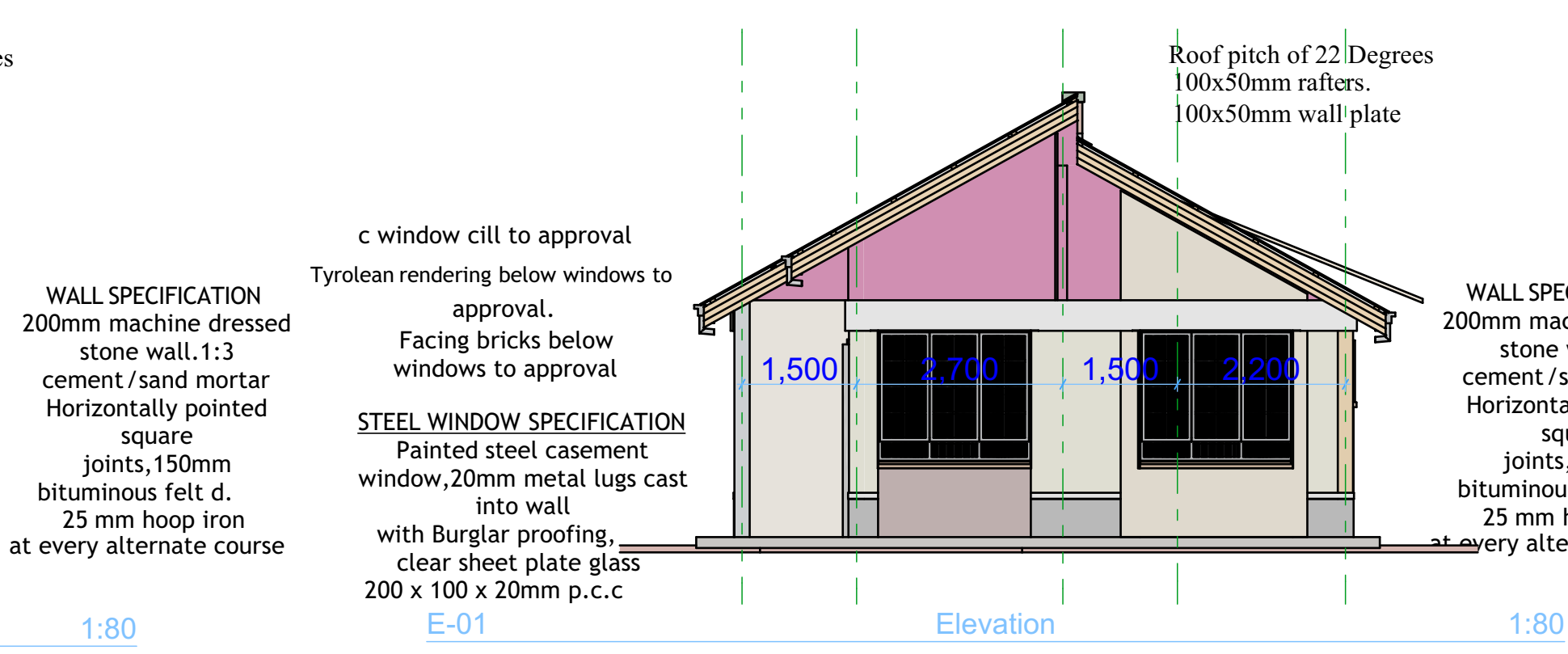
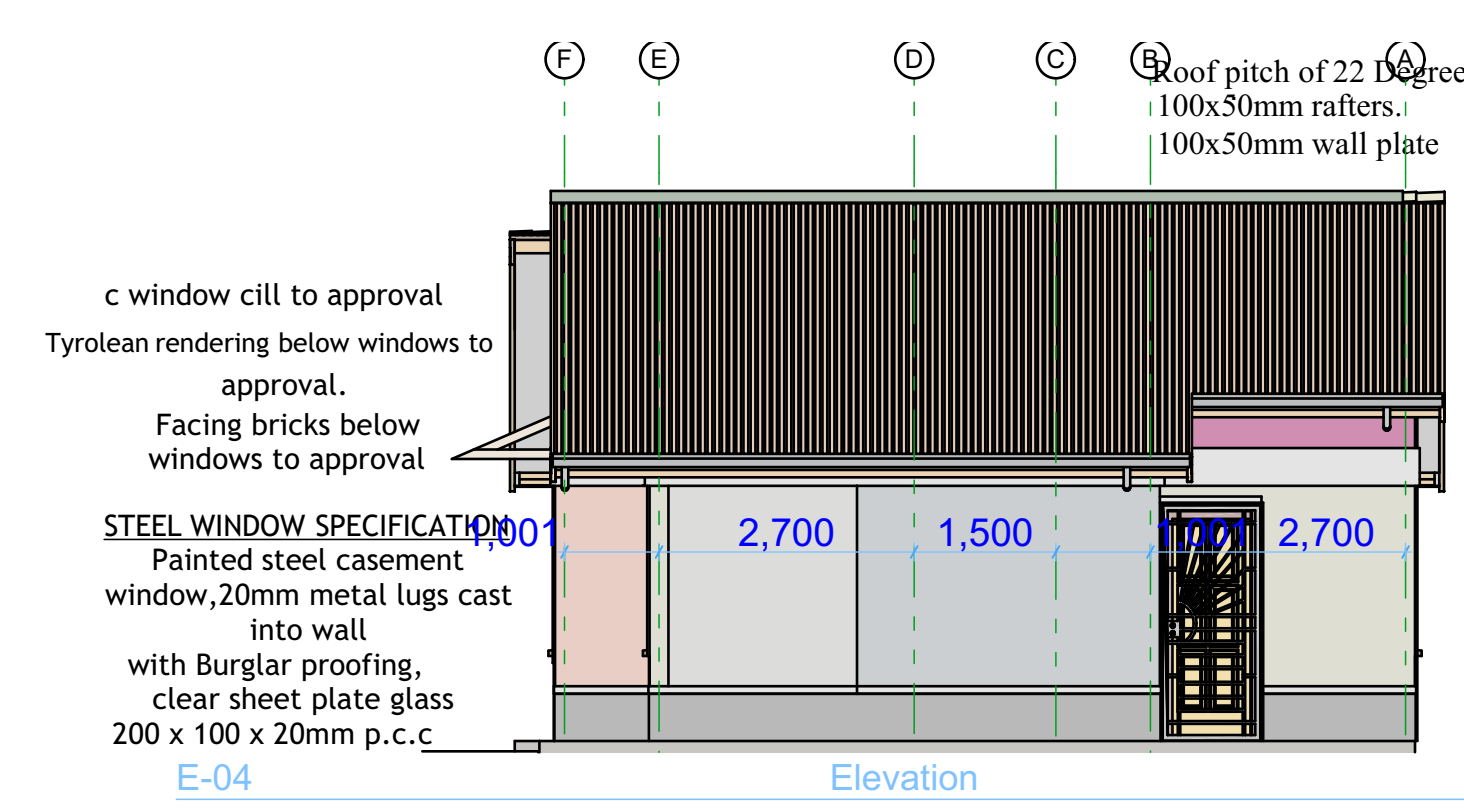
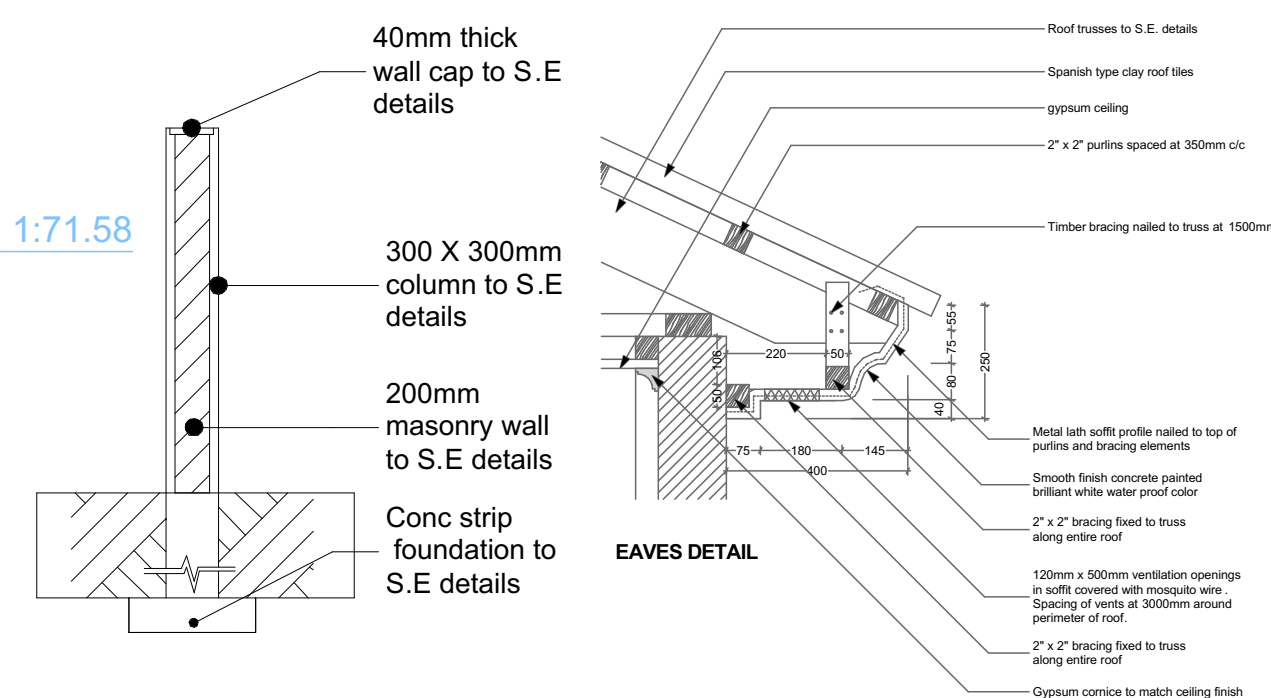
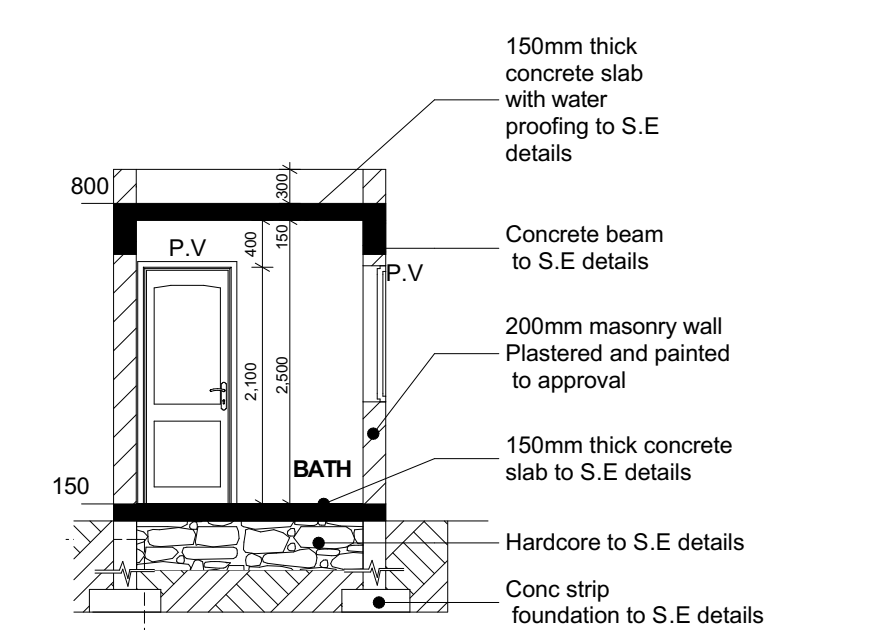


ROOF SPEC.S
1020x1000mm versatile roofing sheets on 50x50mm battens on 75x75mm kingpost and 50x50mm struts & ties 75x50mm tie beam on 100x50mm wall plate to see's specs & det's. Roof pitch=40°

WINDOW SPEC.S
Powder coated steel casement windows to schedule. 4mm thick clear class in MS casement with vents to schedules.

FLOOR SLAB SPEC.S
10mm thick ceramic tiles on 25mm thick sand cement screed (1:4) on 150mm floor slab with BRC (A142) mesh reinforcement on a 1000g polythene as dpm on 50mm blinding on 300mm thick mine stone hardcore on compacted earth.



TYPE	CAPACITY IN LITRES	NUMBER OF PERSONS	DESILTING INTERVAL (YEARS)	DIMENSIONS IN MM						
				A	B	C	D	E	F1	F2
A	3000	10	2	800	1000	1000	3000	800	1200	1400
B	6000	20	2	800	1400	1200	3600	1400	1500	1400
C	9000	30	2	800	1400	1200	3600	1800	1500	1400
D	12000	40	2	800	1600	1400	4000	2000	1500	1300
E	15000	50	2	800	1600	1400	4000	2400	1500	1200

- NOTES:**
- Cover slab to be reinforced with 10mm dia bars at 100mm c/c. (conc. 20/20 mix 1:2:4)
 - Base slab to be concrete class Q mix 1:3:6
 - Outlet and inlet pipes to be 100mm dia. cast iron
 - Scum buffer to be 100mm thick reinforced with 2No.100mm at both ends conc. 80 (20)
 - Dividing walls to be 100mm thick conc. class 20(20) reinforced with weld mesh No. 65.